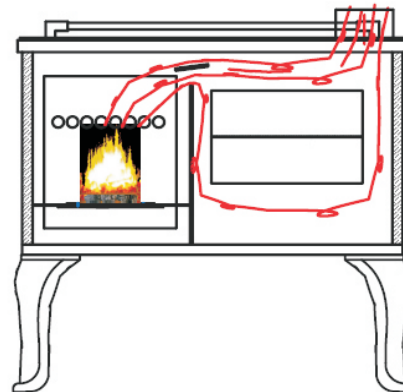
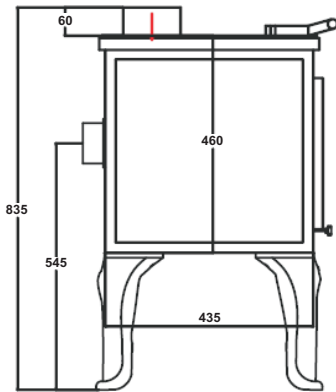
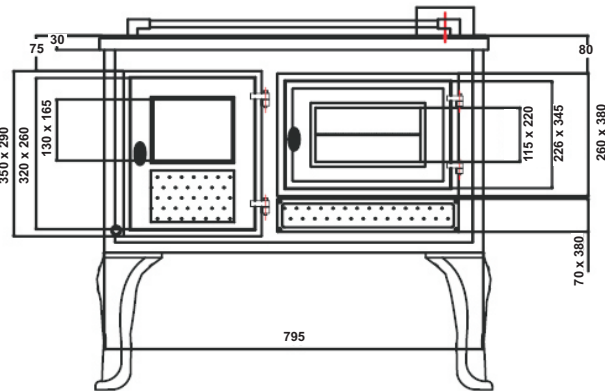
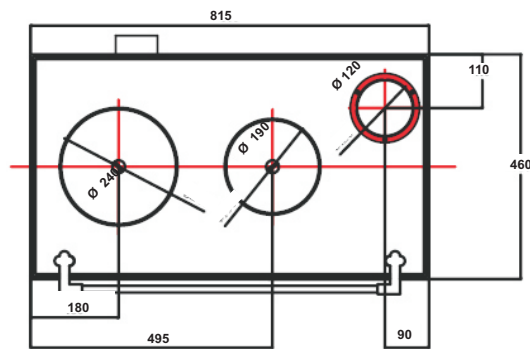
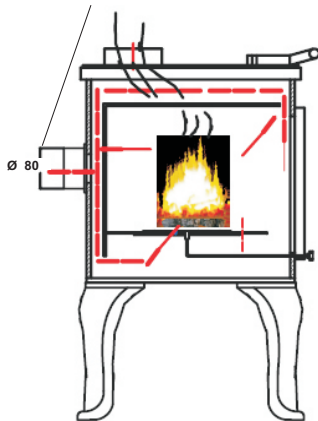


# Titan ST1060G

Drawings, measurements and technical information



External air flow



## Extra Details / Technical Information

Measurements in mm HxWxD	Fire place mm HxWxD	Oven HxWxD	Stove window HxW	Fire opening in mm HxW	Fleu height pipe	1+ 2 BimschV	Capacity in cbm	Tested according		
830x810x540	250x310x345	200x300x410	125x165	195x230	780	ja	165	12815		
Colour	Inside of fire	Fuel	Continuing/ Time burning	Fire rotation grip	Ash pan	Grid	Primary air	Design	O-Norm	Clean air act Switzerland
Black	Cast Iron	Wood/coal	Continuing burning	yes	yes	yes	yes	A1	yes	yes
Dust in Mg on 13% O2: 31mg/Nm <sup>3</sup>		NOX: 170 mg/Nm <sup>3</sup>		CO: 1000 mg/Nm <sup>3</sup>		OGC: 75mg/Nm <sup>3</sup>		Anf. der Städte München, Aachen Stuttgart und Regensburg nach DIN plus		
Values converted: 19 mg/MJ		107 mg/MJ		625 mg/MJ		47 mg/MJ				